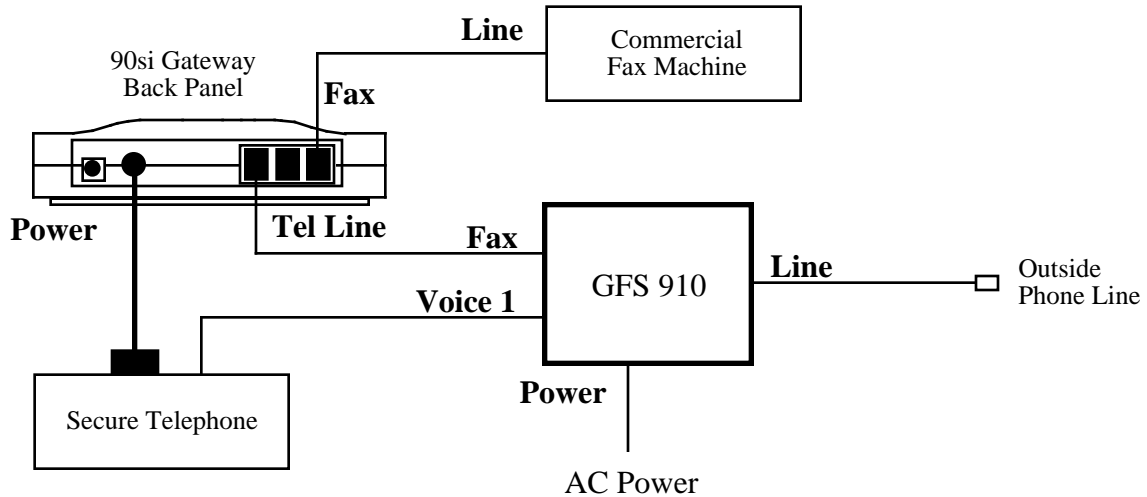


Thank you for purchasing Model 910 from Gateway Fax Systems, Inc.
This product will allow you to receive Un-Classified faxes automatically when used with your
Easy-Fax 90si Secure Facsimile Gateway

GFS 910 Installation Instructions



1. Install The STICK as shown in the diagram above.
2. Insure that your 90si is set for operation in the 2-Line, Dual-Mode-On configuration:
Switch 6 set for 2-Line and Switch 7 set for Dual-Mode ON.
3. Apply power to the 90si, 910, Secure Telephone and Fax.

GFS 910 Operating Instructions

Sending a Secure Fax:

1. With fax idle, call from your STU-III.
2. Establish Secure-Data mode.
3. Begin Transmission (See 90si User's Guide Section 3.3)

Receiving a Secure Fax:

1. Answer ringing STU-III.
2. Establish Secure-Data mode.
3. Stand-by, the Secure Fax will be received automatically.

Sending a Non-Secure Fax:

1. With the STU-III idle.
2. Load document on your fax.
3. Dial remote (Non-Secure) fax number on your fax.
4. Press the START button on your fax.

Receiving a Non-Secure Fax:

1. No action required, receptions are automatic.



GateWay
Fax
Systems, Inc.

GateWay Fax Systems, Inc.
Virginia USA
Tel: 804-796-1900, Fax: 804-796-1116
Toll Free: 1-877-951-9800
Web: www.gwfs.com
Email: info@gwfs.com